

# AIR-S15

## Installation subwoofer

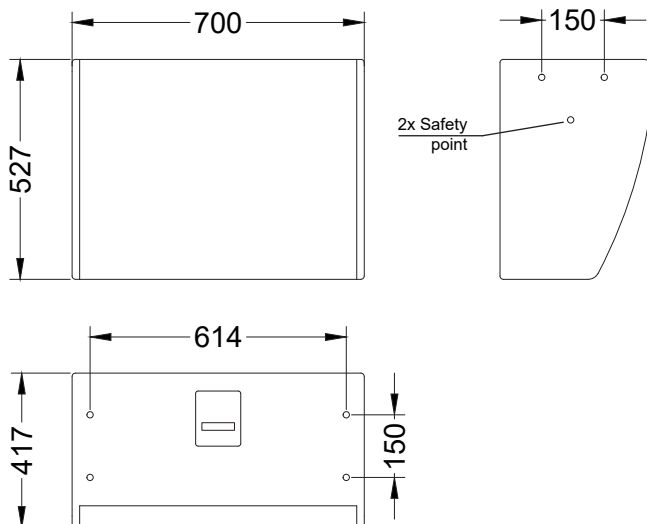
AIR series has been created as the series of installation-dedicated speakers, backed-up with various mounting hardware options for ease and versatility of set-up.

Installation subwoofers benefit from interior-friendly form factor, complete with several neat mounting options, including wall or ceiling placement.

AIR-S15 is a low-frequency extension loudspeaker, based on own-produced reliable 15" woofer. Reliable and thoroughly developed design ensures that system will easily fit into interior's design and will provide long-term duration as well as seamless operation.



### DIMENSIONS



### SPECIFICATIONS

|                            |   |
|----------------------------|---|
| Frequency Response (-10dB) | 37 - 300 Hz   |
| Max SPL                    | 136 dB  |
| Sensitivity (1W/1m)        | 97 dB   |
| LF Driver                  | 15", 4" VC  |
| Impedance                  | 4 / 8 Ohm   |
| Nominal power              | 1000 W  |
| Connectors                 | Barrier strip   |
| Dimensions (W×H×D)         | 700×527×417 mm  |
| Net weight                 | 36 kg   |
| Shipping weight            | 41 kg   |
| Mounting                   | 8x M10 mounting point; 2x M10 safety points; VESA 200x200 |
| Enclosure material         | Plywood, wear-resistant paint                             |
| Speaker protection         | Steel grill, acoustically transparent backing             |

<sup>1</sup> - pink noise, filtered according to AES 2 - 2012, crest factor 9 dB

<sup>2</sup> - based on transducer power measured according to AES 2 - 2012

### CONNECTIONS

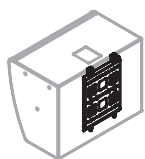
Use Hi-pass filter to prevent speaker damage and distorted sound by eliminating low non-audible frequencies in input signal.

Do not exceed input power ratings mentioned in specifications while exploiting the speaker system.

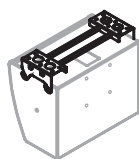
Speaker system comes with barrier strip screw terminals for connection to amplifier.

|                             |                                    |
|-----------------------------|------------------------------------|
| Signal +                    | Terminal +                         |
| Signal -                    | Terminal -                         |
| High pass filter:           |                                    |
| Freq, no less than          | 35 Hz                              |
| Order, no less than         | 18 dB/oct                          |
| Recommended amplifier power | 1000 - 2000 W on nominal impedance |

### ACCESSORIES



**LLS**  
Wall mounting  
adapter



**CL-S15**  
Ceiling adapter

### SAFETY INSTRUCTIONS

1. Do not pour liquids on speaker system - this may cause driver cone destruction and unappealing speaker appearance. Do not allow direct sunlight on speaker cone in order to prevent premature failure. Do not install speaker system near open flames or heating elements.

2. Do not use speaker system with damaged speakON or speaker cable so as not to cause electric shock hazard or fire hazard.

3. Make sure speaker system is firmly set up on the floor, stage, or wall (where applicable).

4. While setting speaker system up onto an angled or slippery surface, make the necessary arrangements to avoid vibration-induced movement.

5. Speaker system is capable of delivering significant sound pressure levels. To avoid permanent or temporary hearing damage, prolonged exposure to sound pressure levels exceeding 90 dB should be limited.